



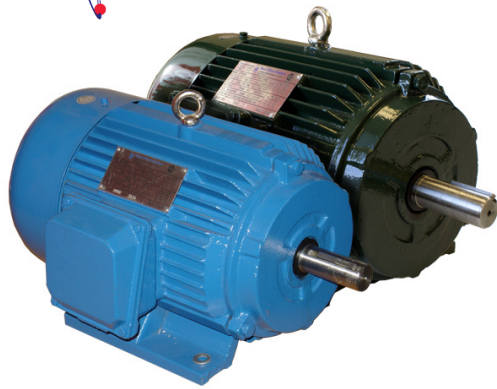
STANDARD FEATURES

- Totally-Enclosed, Fan Cooled (TEFC)
- Stainless Steel Nameplate
- 12 Leads 213 Frame and Above
- Design C
- 208-230/460V 60 Hz
- Oversize Bearings
- 1.25 SF up to 100 HP, 1.15 Over 100 HP
- VPI and Additional Dip and Bake
- Cast Iron J Box, Rolled Steel Fan Cover
- Regreasable Bearings 254 Frame and Larger
- Sealed Bearings 215 Frame and Smaller
- Interchangeable C-Face
- Inverter Duty 10-1VT, 4-1CT
- Shaft Slings on Both Ends

- Gasketed J Box to Frame and Cover
- Double Drilled Feet
- CSA-C and US
- Class F Insulation
- Conduit Box Rotatable at 90 Stops

OPTIONS & MODIFICATIONS

- C-Face
- Resistance Thermal Detectors (RTD)
- Vibration Monitoring
- Heaters
- Specially Machined Shafts
- F-2 Assembly
- Bearing Isolators
- Special Paint Request



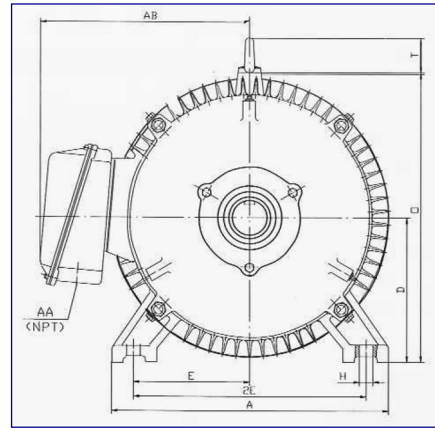
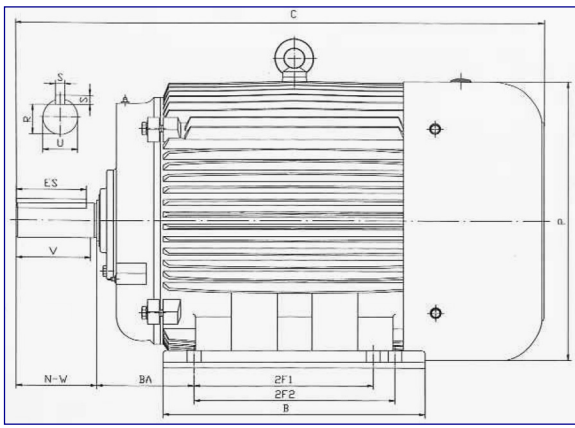
HP	FRAME	RPM	EPACT P/N	EPACT EFF	230/460V FLA	WEIGHT**	PREMIUM P/N	PREMIUM EFF	230/460V FLA	WEIGHT**
1	143T	1800	EET0014	82.5	3.2/1.6	46 lbs	EPT0014	85.5	3/1.5	52 lbs
	145T	1200	EET0016*		3.6/1.8					
1.5	143T	3600	EET00152	82.5		46 lbs				
	145T	1800	EET00154	84	4.6/2.3	59 lbs	EPT00154	86.5	4.4/2.2	56 lbs
	182T	1200	EET00156*		5.0/2.5					
2	145T	3600	EET0022	84		48 lbs				
	145T	1800	EET0024	84	5.6/2.8	54 lbs	EPT0024	86.5	5.6/2.8	58 lbs
	184T	1200	EET0026	85.5	6.4/3.2	98 lbs				
3	182T	3600	EET0032*							
	182T	1800	EET0034	87.5	8.8/4.4	100 lbs	EPT0034 (C)	89.5	8/4	102 lbs
	213T	1200	EET0036*		8.8/4.4					
5	184T	3600	EET0052 (C)	87.5		110 lbs	EPT0052 (C)	88.5	11.6/5.8	116 lbs
	184T	1800	EET0054 (C)	87.5	13.4/6.7	112 lbs	EPT0054 (C)	89.5	12.6/6.3	118 lbs
	215T	1200	EET0056*		14.4/7.2					
7.5	213T	3600	EET00752 (C)	88.5		148 lbs	EPT00752 (C)	89.5	17.6/8.8	158 lbs
	213T	1800	EET00754 (C)	89.5	19/19.5	148 lbs	EPT00754 (C)	91.7	18/9	162 lbs
	254T	1200	EET00756*		20.8/10.4					
10	215T	3600	EET0102 (C)	90.2		164 lbs	EPT0102 (C)	90.2	22.4/11.2	173 lbs
	215T	1800	EET0104 (C)	89.5	24.6/12.3	172 lbs	EPT0104 (C)	91.7	24/12	180 lbs
	256T	1200	EET0106*		27/13.5					
15	254T	3600	EET0152 (C)	90.2		288 lbs	EPT0152 (C)	91	31/15.5	304 lbs
	254T	1800	EET0154 (C)	91	36.6/18.3	293 lbs	EPT0154 (C)	92.4	36/18	310 lbs
	284T	1200	EET0156*		39/19.5					
20	256T	3600	EET0202 (C)	90.2		335 lbs	EPT0202 (C)	91	45/22.5	334 lbs
	256T	1800	EET0204 (C)	91	48.4/24.2	324 lbs	EPT0204 (C)	93	48/24	334 lbs
	286T	1200	EET0206	90.2	50/25	392 lbs				
25	284TS	3600	EET0252 (C)	91		386 lbs	EPT0252 (C)	91.7	58/26	406 lbs
	284T	1800	EET0254 (C)	92.4	60/30	394 lbs	EPT0254 (C)	93.6	57/28.5	414 lbs
	324T	1200	EET0256	91.7	60.4/30.2	520 lbs				
30	286TS	3600	EET0302 (C)	91		410 lbs	EPT0302 (C)	91.7	67.4/33.7	432 lbs
	286T	1800	EET0304 (C)	92.4	70.6/35.3	411 lbs	EPT0304 (C)	93.6	68/34	438 lbs
	326T	1200	EET0306	91.7	73/36.5	552 lbs				
40	324TS	3600	EET0402 (C)	91.7		542 lbs	EPT0402 (C)	92.4	89/44.5	544 lbs
	324T	1800	EET0404 (C)	93	93.4/46.7	554 lbs	EPT0404 (C)	94.1	90/45	552 lbs
	364T	1200	EET0406	93	94/47	718 lbs				
50	326TS	3600	EET0502 (C)	92.4		565 lbs	EPT0502 (C)	93	110/55	584 lbs
	326T	1800	EET0504 (C)	93	116.6/58.3	592 lbs	EPT0504 (C)	94.5	112/56	630 lbs
	365T	1200	EET0506*		116/58					
60	364TS	3600	EET0602 (C)	93		752 lbs	EPT0602 (C)	93.6	135/66.5	758 lbs
	364T	1800	EET0604 (C)	93.6	140/70	784 lbs	EPT0604 (C)	95	134/67	818 lbs
	404T	1200	EET0606*		140/70					
75	365TS	3600	EET0752 (C)	93		820 lbs	EPT0752 (C)	93.6	165/82.5	812 lbs
	365T	1800	EET0754 (C)	94.1	177.2/88.6	810 lbs	EPT0754 (C)	95.4	166/83	838 lbs
	405T	1200	EET0756*		172/86					
100	405TS	3600	EET1002	93.6		1098 lbs	EPT1002	94.1	218/109	1090 lbs
	405T	1800	EET1004	94.5	227/113.5	1104 lbs	EPT1004	95.4	220/110	1110 lbs
	444T	1200	EET1006*		228/114					
125	444TS	3600	EET1252*				EPT1252*			
	444T	1800	EET1254	94.5	147	1418 lbs	EPT1254	95.4	137	1408 lbs
	445T	1200	EET1236*		143					
150	445TS	3600	EET1502	94.5		1665 lbs	EPT1502*			
	445T	1800	EET1504	95	171	1734 lbs	EPT1504	95.8	164	1726 lbs
	447T	1200	EET1506*		167					
200	447TS	3600	EET2002	95		1840 lbs	EPT2002*			
	447T	1800	EET2004	95	220	1840 lbs	EPT2004	96.2	216	1814 lbs
	449T	1200	EET2006*		222					

Part Numbers with (C) have C-face installation option; please specify when ordering

* Motor sizes available by special order only

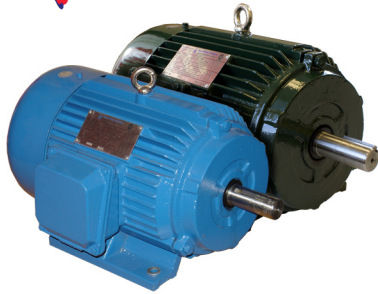
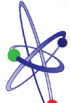
**Shipping Weights

All Specifications are Subject to Change Without Notice



All Dimensions are in Inches

HP	RPM	Frame	MOTOR DIMENSIONS										SHAFT EXTENSION, KEY SEAT					CONDUIT		BEARING	
			A	B	C	D	H	E	2F1	2F2	BA	U	V	R	S	ES	N-W	AA	AB	DE	ODE
1	3600	143T	7	5 1/5	12 3/5	3 1/2	11/32	2 3/4	4	NA	2 1/4	7/8	2 1/4	64/83	3/16	1 25/61	2 1/4	3/4	5 1/4	6205	6205
	1800	143T	7	5 1/5	12 3/5	3 1/2	11/32	2 3/4	4	NA	2 1/4	7/8	2 1/4	64/83	3/16	1 25/61	2 1/4	3/4	5 1/4	6205	6205
	1200	145T	7	6 1/5	13 3/5	3 1/2	11/32	2 3/4	4	5	2 1/4	7/8	2 1/4	64/83	3/16	1 25/61	2 1/4	3/4	5 1/4	6205	6205
1.5	3600	143T	7	5 1/5	12 3/5	3 1/2	11/32	2 3/4	4	NA	2 1/4	7/8	2 1/4	64/83	3/16	1 25/61	2 1/4	3/4	5 1/4	6205	6205
	1800	145T	7	6 1/5	13 3/5	3 1/2	11/32	2 3/4	4	5	2 1/4	7/8	2 1/4	64/83	3/16	1 25/61	2 1/4	3/4	5 1/4	6205	6205
	1200	182T	9 1/2	7 3/10	16 1/10	4 1/2	13/32	3 3/4	4 1/2	5 1/2	2 3/4	1 1/8	2 3/4	70/71	1/4	1 39/50	2 3/4	3/4	5 7/8	6306	6306
2	3600	145T	7	6 1/5	13 3/5	3 1/2	11/32	2 3/4	4	5	2 1/4	7/8	2 1/4	64/83	3/16	1 25/61	2 1/4	3/4	5 1/4	6205	6205
	1800	145T	7	6 1/5	13 3/5	3 1/2	11/32	2 3/4	4	5	2 1/4	7/8	2 1/4	64/83	3/16	1 25/61	2 1/4	3/4	5 1/4	6205	6205
	1200	184T	9 1/2	8 3/10	17 1/10	4 1/2	13/32	3 3/4	4 1/2	5 1/2	2 3/4	1 1/8	2 3/4	70/71	1/4	1 39/50	2 3/4	3/4	5 7/8	6306	6306
3	3600	182T	9 1/2	7 3/10	16 1/10	4 1/2	13/32	3 3/4	4 1/2	5 1/2	2 3/4	1 1/8	2 3/4	70/71	1/4	1 39/50	2 3/4	3/4	5 7/8	6306	6306
	1800	182T	9 1/2	7 3/10	16 1/10	4 1/2	13/32	3 3/4	4 1/2	5 1/2	2 3/4	1 1/8	2 3/4	70/71	1/4	1 39/50	2 3/4	3/4	5 7/8	6306	6306
	1200	213T	11	7 67/77	18 9/10	5 1/4	13/32	4 1/4	5 1/2	NA	3 1/2	3/8	3 3/8	1 1/5	5/16	2 16/39	3 19/50	3/4	7 3/8	6306	6308
5	3600	184T	9 1/2	8 3/10	17 1/10	4 1/2	13/32	3 3/4	4 1/2	5 1/2	2 3/4	1 1/8	2 3/4	70/71	1/4	1 39/50	2 3/4	3/4	5 7/8	6308	6306
	1800	184T	9 1/2	8 3/10	17 1/10	4 1/2	13/32	3 3/4	4 1/2	5 1/2	2 3/4	1 1/8	2 3/4	70/71	1/4	1 39/50	2 3/4	3/4	5 7/8	6306	6306
	1200	215T	11	9 27/73	20 2/5	5 1/4	13/32	4 1/4	5 1/2	7	3 1/2	3/8	3 3/8	1 1/5	5/16	2 16/39	3 19/50	3/4	7 3/8	6306	6308
7.5	3600	213T	11	7 67/77	18 9/10	5 1/4	13/32	4 1/4	5 1/2	NA	3 1/2	3/8	3 3/8	1 1/5	5/16	2 16/39	3 19/50	3/4	7 3/8	6308	6308
	1800	213T	11	7 67/77	18 9/10	5 1/4	13/32	4 1/4	5 1/2	NA	3 1/2	3/8	3 3/8	1 1/5	5/16	2 16/39	3 19/50	3/4	7 3/8	6308	6308
	1200	254T	13	12 1/5	25	6 1/4	17/32	5	8 1/4	10	4 1/4	1 5/8	4	1 5/12	3/8	2 81/89	4	1	9 5/8	6309	6309
10	3600	215T	11	9 27/73	20 2/5	5 1/4	13/32	4 1/4	5 1/2	7	3 1/2	3/8	3 3/8	1 1/5	5/16	2 16/39	3 19/50	3/4	7 3/8	6308	6308
	1800	215T	11	9 27/73	20 2/5	5 1/4	13/32	4 1/4	5 1/2	7	3 1/2	3/8	3 3/8	1 1/5	5/16	2 16/39	3 19/50	3/4	7 3/8	6308	6308
	1200	256T	13	12 1/5	25	6 1/4	17/32	5	8 1/4	10	4 1/4	1 5/8	4	1 5/12	3/8	2 81/89	4	1	9 5/8	6309	6309
15	3600	254T	13	12 1/5	25	6 1/4	17/32	5	8 1/4	10	4 1/4	1 5/8	4	1 5/12	3/8	2 81/89	4	1	9 5/8	6309	6309
	1800	254T	13	12 1/5	25	6 1/4	17/32	5	8 1/4	10	4 1/4	1 5/8	4	1 5/12	3/8	2 81/89	4	1	9 5/8	6309	6309
	1200	284T	14	13 1/5	28 1/10	7	17/32	5 1/2	9 1/2	11	4 3/4	1 7/8	4 5/8	1 13/22	1/2	3 7/25	4 31/50	1 1/2	13 1/8	6311	6311
20	3600	256T	13	12 1/5	25	6 1/4	17/32	5	8 1/4	10	4 1/4	1 5/8	4	1 5/12	3/8	2 81/89	4	1	9 5/8	6309	6309
	1800	256T	13	12 1/5	25	6 1/4	17/32	5	8 1/4	10	4 1/4	1 5/8	4	1 5/12	3/8	2 81/89	4	1	9 5/8	6309	6309
	1200	286T	14	13 1/5	28 1/10	7	17/32	5 1/2	9 1/2	11	4 3/4	1 7/8	4 5/8	1 13/22	1/2	3 7/25	4 31/50	1 1/2	13 1/8	6311	6311
25	3600	284TS	14	13 1/5	28 7/10	7	17/32	5 1/2	9 1/2	11	4 3/4	1 5/8	3 1/4	1 5/12	3/8	1 10/11	3 1/4	1 1/2	13 1/8	6311	6311
	1800	284T	14	13 1/5	28 1/10	7	17/32	5 1/2	9 1/2	11	4 3/4	1 7/8	4 5/8	1 13/22	1/2	3 7/25	4 31/50	1 1/2	13 1/8	6311	6311
	1200	324T	15 1/2	14 7/10	31 3/10	8	21/32	6 1/4	10 1/2	12	5 1/4	2 1/8	5 1/4	1 60/71	1/2	3 81/89	5 1/4	2	14 1/8	6312	6312
30	3600	286TS	14	13 1/5	28 7/10	7	17/32	5 1/2	9 1/2	11	4 3/4	1 5/8	3 1/4	1 5/12	3/8	1 10/11	3 1/4	1 1/2	13 1/8	6311	6311
	1800	286T	14	13 1/5	28 1/10	7	17/32	5 1/2	9 1/2	11	4 3/4	1 7/8	4 5/8	1 13/22	1/2	3 7/25	4 31/50	1 1/2	13 1/8	6311	6311
	1200	326T	15 1/2	14 7/10	31 3/10	8	21/32	6 1/4	10 1/2	12	5 1/4	2 1/8	5 1/4	1 60/71	1/2	3 81/89	5 1/4	2	14 1/8	6312	6312
40	3600	324TS	15 1/2	14 7/10	29 4/5	8	21/32	6 1/4	10 1/2	12	5 1/4	1 7/8	3 3/4	1 13/22	1/2	2 2/67	3 3/4	2	14 1/8	6312	6312
	1800	324T	15 1/2	14 7/10	31 3/10	8	21/32	6 1/4	10 1/2	12	5 1/4	2 1/8	5 1/4	1 60/71	1/2	3 81/89	5 1/4	2	14 1/8	6312	6312
	1200	364T	17 1/10	15 2/5	33 1/2	9	21/32	7	11 1/4	12 1/4	5 7/8	2 3/8	5 7/8	2 2/95	5/8	4 7/25	5 22/25	2 1/2	15 1/16	6313	6313
50	3600	326TS	15 1/2	14 7/10	29 4/5	8	21/32	6 1/4	10 1/2	12	5 1/4	1 7/8	3 3/4	1 13/22	1/2	2 2/67	3 3/4	2	14 1/8	6312	6312
	1800	326T	15 1/2	14 7/10	31 3/10	8	21/32	6 1/4	10 1/2	12	5 1/4	2 1/8	5 1/4	1 60/71	1/2	3 81/89	5 1/4	2	14 1/8	6312	6312
	1200	365T	17 1/10	15 2/5	33 1/2	9	21/32	7	11 1/4	12 1/4	5 7/8	2 3/8	5 7/8	2 2/95	5/8	4 7/25	5 22/25	2 1/2	15 1/16	6313	6313
60	3600	364TS	17 1/10	15 2/5	31 2/5	9	21/32	7	11 1/4	12 1/4	5 7/8	1 7/8	3 3/8	1 13/22	1/2	2 2/67	3 3/4	2 1/2	15 1/16	6313	6313
	1800	364T	17 1/10	15 2/5	33 1/2	9	21/32	7	11 1/4	12 1/4	5 7/8	2 3/8	5 7/8	2 2/95	5/8	4 7/25	5 22/25	2 1/2	15 1/16	6313	6313
	1200	404T	19 3/10	17 9/10	38 1/5	10	13/16	8	12 1/4	13 3/4	6 5/8	2 7/8	7 1/4	2 9/20	3/4	5 13/20	7 1/4	3	18	6315	6314
75	3600	365TS	17 1/10	15 2/5	31 2/5	9	21/32	7	11 1/4	12 1/4	5 7/8	1 7/8	3 3/8	1 13/22	1/2	2 2/67	3 3/4	2 1/2	15 1/16	6313	6313
	1800	365T	17 1/10	15 2/5	33 1/2	9	21/32	7	11 1/4	12 1/4	5 7/8	2 3/8	5 7/8	2 2/95	5/8	4 7/25	5 22/25	2 1/2	15 1/16	6313	6313
	1200	405T	19 3/10	17 9/10	38 1/5	10	13/16	8	12 1/4	13 3/4	6 5/8	2 7/8	7 1/4	2 9/20	3/4	5 13/20	7 1/4	3	18	6315	6314
100	3600	405TS	19 3/10	17 9/10	40 3/5	10	13/16	8	12 1/4	13 3/4	6 5/8	2 1/8	4 1/4	1 60/71	1/2	2 19/50	4 1/4	3	18	6315	6314
	1800	405T	19 3/10	17 9/10	38 1/5	10	13/16	8	12 1/4	13 3/4	6 5/8	2 7/8	7 1/4	2 9/20	3/4	5 13/20	7 1/4	3	18	6315	6314
	1200	444T	21 7/10	22 9/10	44 3/10	11	13/16	9	14 1/2	16 1/2	7 1/2	3 3/8	8 1/2	2 22/25	7/8	6 81/89	8 1/2	3	19 9/16	6318	6317
125	3600	444TS	21 7/10	22 9/10	40 3/5	11	13/16	9	14 1/2	16 1/2	7 1/2	2 3/8	4 3/4	2 2/95	5/8	3 2/67	4 3/4	3	19 9/16	6314	6314
	1800	444T	21 7/10	22 9/10	44 3/10	11	13/16	9	14 1/2	16 1/2	7 1/2	3 3/8	8 1/2	2 22/25	7/8	6 81/89	8 1/2	3	19 9/16	6318	6317
	1200	445T	21 7/10	22 9/10	44 3/10	11	13/16	9	14 1/2	16 1/2	7 1/2	3 3/8	8 1/2	2 22/25	7/8	6 81/89	8 1/2	3	19 9/16	6318	6317
150	3600	445TS	21 7/10	22 9/10	40 3/5	11	13/16	9	14 1/2												



STANDARD FEATURES

- Totally-Enclosed, Fan Cooled (TEFC)
- Stainless Steel Nameplate
- 12 Leads 213 Frame and Above
- Design C
- 208-230/460V 60 Hz
- Oversize Bearings
- 1.25 SF up to 100 HP, 1.15 Over 100 HP
- VPI and Additional Dip and Bake
- Cast Iron J Box, Rolled Steel Fan Cover
- Regreasable Bearings 254 Frame and Larger
- Sealed Bearings 215 Frame and Smaller
- Interchangeable C-Face
- Inverter Duty 10-1VT, 4-1CT
- Shaft Slings on Both Ends

- Gasketed J Box to Frame and Cover
- Double Drilled Feet
- CSA-C and US
- Class F Insulation
- Conduit Box Rotatable at 90° Stops

OPTIONS & MODIFICATIONS

- C-Face
- Resistance Thermal Detectors (RTD)
- Vibration Monitoring
- Heaters
- Specially Machined Shafts
- F-2 Assembly
- Bearing Isolators
- Special Paint Request

HP	FRAME	RPM	EPACT P/N	Mfgs. Price	Mfgs. Price (C)	PREMIUM P/N	Mfgs. Price	Mfgs. Price (C)
1	143T	1800	EET0014	\$360		EPT0014	\$461	
	145T	1200	EET0016*	\$442				
1.5	143T	3600	EET00152	\$377				
	145T	1800	EET00154	\$365		EPT00154	\$482	
2	182T	1200	EET00156*	\$550				
	145T	3600	EET0022	\$430				
	145T	1800	EET0024	\$407		EPT0024	\$536	
3	184T	1200	EET0026	\$598				
	182T	3600	EET0032*	\$515				
	182T	1800	EET0034	\$461		EPT0034 (C)	\$580	\$630
5	213T	1200	EET0036*	\$780				
	184T	3600	EET0052 (C)	\$630	\$682	EPT0052 (C)	\$764	\$820
	184T	1800	EET0054 (C)	\$546	\$596	EPT0054 (C)	\$676	\$729
7.5	215T	1200	EET0056*	\$1001				
	213T	3600	EET00752 (C)	\$860	\$931	EPT00752 (C)	\$984	\$1059
	213T	1800	EET00754 (C)	\$723	\$789	EPT00754 (C)	\$953	\$1027
10	254T	1200	EET00756*	\$1443				
	215T	3600	EET0102 (C)	\$1001	\$1076	EPT0102 (C)	\$1166	\$1245
	215T	1800	EET0104 (C)	\$860	\$931	EPT0104 (C)	\$1114	\$1193
15	256T	1200	EET0106*	\$1660				
	254T	3600	EET0152 (C)	\$1434	\$1536	EPT0152 (C)	\$1596	\$1704
	254T	1800	EET0154 (C)	\$1308	\$1408	EPT0154 (C)	\$1617	\$1725
20	284T	1200	EET0156*	\$2298				
	256T	3600	EET0202 (C)	\$1737	\$1849	EPT0202 (C)	\$2084	\$2206
	256T	1800	EET0204 (C)	\$1605	\$1713	EPT0204 (C)	\$1926	\$2043
25	286T	1200	EET0206	\$2888				
	284TS	3600	EET0252 (C)	\$2072	\$2219	EPT0252 (C)	\$2623	\$2762
	284T	1800	EET0254 (C)	\$1921	\$2065	EPT0254 (C)	\$2400	\$2556
30	324T	1200	EET0256	\$3490				
	286TS	3600	EET0302 (C)	\$2467	\$2791	EPT0302 (C)	\$3116	\$3293
	286T	1800	EET0304 (C)	\$2350	\$2662	EPT0304 (C)	\$2820	\$2989
40	326T	1200	EET0306	\$3845				
	324TS	3600	EET0402 (C)	\$3445	\$3924	EPT0402 (C)	\$4134	\$4633
	324T	1800	EET0404 (C)	\$3207	\$3679	EPT0404 (C)	\$3656	\$4141
50	364T	1200	EET0406	\$5193				
	326TS	3600	EET0502 (C)	\$3672	\$4157	EPT0502 (C)	\$4652	\$5165
	326T	1800	EET0504 (C)	\$3576	\$4059	EPT0504 (C)	\$4463	\$4971
60	365T	1200	EET0506*	\$6275				
	364TS	3600	EET0602 (C)	\$5625	\$6343	EPT0602 (C)	\$6608	\$7355
	364T	1800	EET0604 (C)	\$5497	\$6212	EPT0604 (C)	\$6465	\$7208
75	404T	1200	EET0606*	\$7896				
	365TS	3600	EET0752 (C)	\$6838	\$7592	EPT0752 (C)	\$7955	\$8740
	365T	1800	EET0754 (C)	\$6570	\$7315	EPT0754 (C)	\$7617	\$8393
100	405T	1200	EET0756*	\$8792				
	405TS	3600	EET1002	\$8314		EPT1002	\$10502	
	405T	1800	EET1004	\$8354		EPT1004	\$10228	
125	444T	1200	EET1006*	\$11399				
	444TS	3600	EET1252*	\$11192		EPT1252*	\$13431	
	444T	1800	EET1254	\$11093		EPT1254	\$12905	
150	445T	1200	EET1236*					
	445TS	3600	EET1502	\$13915		EPT1502*	\$16522	
	445T	1800	EET1504	\$13083		EPT1504	\$15243	
200	447T	1200	EET1506*					
	447TS	3600	EET2002	\$17181		EPT2002*	\$20617	
	447T	1800	EET2004	\$16193		EPT2004	\$18461	
	449T	1200	EET2006*					

Part Numbers with (C) have C-face installation option; please specify when ordering

* Motor sizes available by special order only

**Shipping Weights

All Specifications are Subject to Change Without Notice

Updated: April 2009



Motors & Drives International

Salt Lake City: (801) 366-4100
 Denver: (303) 574-9448
 Boise: (208) 573-1038
 Portland: (503) 616-4677
 Seattle: (206) 660-4351

Engineering Specifications

Motors & Drives International Premium Efficient Motors

H P	PREMIUM P/N	RPM	FRAME	CODE	460V LOCKED ROTOR AMPS	FLA 230V/460V	DE/ODE BRG	TORQUE			EFFICIENCY			POWER FACTOR		
								FULL LOAD LB-FT	LOCKED ROTOR %	BREAK DOWN %	FULL LOAD %	3/4 LOAD %	1/2 LOAD %	FULL LOAD %	3/4 LOAD %	1/2 LOAD %
1	EPT0014	1740	143T	M	15	3.0/1.5	6205/6205	3.02	300	310	85.5	83.6	76.0	71.0	58.0	
	EPT0016	1140	145T	M	15	3.4/1.7	6205/6205	4.6	260	330	82.5	80.2	69.0	60.0	47.0	
1.5	EPT00152	3500	145T	M	20	4.0/2.0	6205/6205	2.2	260	320	84.0	83.6	85.0	78.0	66.0	
	EPT00154	1740	145T	M	20	4.4/2.2	6205/6205	4.54	320	330	86.5	86.3	85.0	76.0	58.0	
2	EPT00156	1165	182T	M	20	4.6/2.3	6306/6306	6.8	240	340	87.5	87.0	85.2	71.0	55.0	
	EPT0022	3500	145T	L	25	4.84/2.42	6205/6205	3	260	280	85.5	85.1	83.6	72.0	61.0	
3	EPT0024	1740	145T	L	25	5.6/2.8	6205/6205	6.05	320	330	86.5	86.4	80.0	75.0	63.0	
	EPT0026	1165	183T	L	25	5.8/2.9	6306/6306	9.1	230	300	88.5	88.0	86.4	74.0	56.0	
5	EPT0032	3510	184T	K	32	7.4/3.7	6306/6306	4.49	200	330	86.5	86.6	89.0	87.0	78.0	
	EPT0034 (C)	1745	184T	K	32	8.0/4.0	6306/6306	9	250	320	89.5	89.1	87.6	82.0	65.0	
7.5	EPT0036	1170	213T	K	32	8.4/4.2	6308/6308	13.47	200	300	89.5	89.2	87.7	75.0	54.0	
	EPT0052 (C)	3515	184T	J	46	11.6/5.8	6306/6306	7.46	180	320	88.5	88.6	88.2	92.0	86.0	
10	EPT0054 (C)	1745	184T	J	46	12.6/6.3	6306/6306	15	240	290	89.5	89.8	89.0	82.0	70.0	
	EPT0056	1170	215T	J	46	13.4/6.7	6308/6308	22.5	200	250	89.5	89.8	89.9	79.0	62.0	
15	EPT00752 (C)	3525	213T	H	63	17.6/8.8	6308/6308	11.19	180	300	89.5	89.7	89.2	91.0	88.0	
	EPT00754 (C)	1750	213T	H	63	18.0/9.0	6308/6308	22.51	195	260	91.7	91.7	91.1	85.0	75.0	
20	EPT00756	1175	254T	H	63	19.6/9.8	6309/6309	33.65	200	240	91.0	91.2	90.5	79.0	54.0	
	EPT0102 (C)	3525	215T	H	81	22.4/11.2	6308/6308	14.9	180	290	90.2	90.2	90.0	93.0	88.5	
30	EPT0104 (C)	1750	215T	H	81	24.0/12.0	6308/6308	30.02	190	250	91.7	91.8	91.5	86.0	80.0	
	EPT0106	1170	256T	H	81	26.4/13.2	6309/6309	44.9	200	230	91.0	91.0	90.4	79.0	61.0	
40	EPT0152 (C)	3515	254T	G	116	34.4/17.2	6309/6309	22.4	180	290	91.0	91.0	91.0	91.0	84.0	
	EPT0154 (C)	1750	254T	G	116	36.0/18.0	6309/6309	44.8	185	230	92.4	92.2	92.0	86.0	75.0	
50	EPT0156	1175	284T	G	116	37/18.5	6311/6311	67.07	200	255	91.7	91.7	91.4	84.0	72.0	
	EPT0202 (C)	3530	256T	G	145	45/22.5	6309/6309	29.76	170	250	91.0	90.5	90.4	89.2	86.0	
75	EPT0204 (C)	1750	256T	G	145	48.0/24.0	6309/6309	59.8	200	220	93.0	93.2	93.0	85.0	78.0	
	EPT0206	1175	286T	G	145	49/24.5	6311/6311	89.42	200	250	91.7	91.7	91.5	85.0	78.0	
100	EPT0252 (C)	3530	284TS	G	182	56/28	6311/6311	37.2	180	270	91.7	91.7	91.1	92.0	86.0	
	EPT0254 (C)	1760	284T	G	182	57/28.5	6311/6311	74.3	180	260	93.6	93.0	92.6	90.0	77.0	
150	EPT0256	1175	324T	G	182	59/29.5	6312/6312	111.3	200	250	93.0	93.0	92.4	86.0	75.0	
	EPT0302 (C)	3530	286TS	G	217	67.4/33.7	6311/6311	44.5	180	280	91.7	91.7	91.4	92.0	88.0	
200	EPT0304 (C)	1760	286T	G	217	68.0/34.0	6311/6311	89.1	185	280	93.6	93.2	92.7	90.0	80.0	
	EPT0306	1180	326T	G	217	71/35.5	6312/6312	133.56	200	235	93.0	93.0	92.5	85.0	75.0	
300	EPT0402 (C)	3540	324TS	G	290	89/44.5	6312/6312	59.2	180	280	92.4	92.0	92.0	88.0	82.0	
	EPT0404 (C)	1760	324T	G	290	90/45	6312/6312	118.8	180	260	94.1	93.3	92.3	89.0	80.0	
400	EPT0406	1180	364T	G	290	93/46.5	6313/6313	178.08	200	235	94.1	94.1	93.6	86.0	76.0	
	EPT0502 (C)	3545	326TS	G	362	110/55	6312/6312	73.9	175	260	93.0	92.1	91.4	92.0	89.5	
500	EPT0504 (C)	1765	326T	G	362	112/56	6312/6312	148.4	175	250	94.5	93.6	93.0	87.0	80.0	
	EPT0506	1180	365T	G	362	116/58	6313/6313	222.6	200	220	94.1	94.2	93.8	87.0	79.0	
750	EPT0602 (C)	3560	364TS	G	435	132/66	6313/6313	88.55	180	275	93.6	93.0	92.4	92.0	93.0	
	EPT0604 (C)	1780	364T	G	435	134/67	6313/6313	177.55	195	280	95.0	94.8	94.2	90.0	82.0	
1000	EPT0752 (C)	3560	365TS	G	542	165/82.5	6313/6313	110.69	200	275	93.6	93.0	92.5	92.0	91.5	
	EPT0754 (C)	1780	365T	G	542	166/83	6313/6313	221.95	195	260	95.4	94.9	94.5	90.0	85.0	
1500	EPT1002	3560	405TS	G	725	218/109	6314/6314	147.2	180	280	94.1	94.0	93.6	92.0	90.5	
	EPT1004	1780	405T	G	725	220/110	6315/6314	295.17	185	220	95.4	95.1	94.7	90.0	84.0	
2000	EPT1252	3565	444TS	G	907	135	6314/6314	183.75	190	250	95.0	94.4	93.8	92.0	90.5	
	EPT1254	1780	444T	G	907	137	NU6318/6317	368.93	180	250	95.4	94.4	94.0	91.0	89.5	
3000	EPT1502	3570	445TS	G	1085	162	6314/6314	220.42	195	245	95.0	94.5	93.8	92.0	90.7	
	EPT1504	1780	445T	G	1085	164	NU6318/6317	442.74	190	250	95.8	95.3	94.6	91.0	90.0	
4000	EPT2002	3570	447TS	G	1450	213	6314/6314	293.9	185	210	94.8	94.8	94.3	93.0	93.0	
	EPT2004	1780	447T	G	1450	216	NU6319/9318	590.25	195	240	96.2	95.8	95.3	91.0	90.2	

Part Numbers with (C) have C-face installation option
 All Specifications are Subject to Change Without Notice
 All specifications are 60 Hz